

---

# FOSTER

---





# PERSISTENT LISTENER

*An ergonomic and flexible auditorium chair designed for lecture halls, conference centres and cultural facilities. Thanks to its properly contoured shape, the chair provides listeners with excellent comfort, while its functional accessories facilitate note taking. The most eye-catching element of the chair is its simple, yet modern design.*



The chair structure made of powder-coated steel has been specially designed to ensure stable assembly of both a single chair and a whole row, providing users with a wider range of space arrangement possibilities. The chair legs are made of vertical metal profiles that have a rectangular shape, which harmonises perfectly with the other chair elements. The chair seat is attached to the legs and can withstand a great load. The upper part of the chair leg can be equipped with a special hollow, which acts as a pencil tray for all the user's writing tools. The chair can also be equipped with a desktop for the listener sitting in the row behind.

The chair seat and backrest are made of high-quality beech plywood, which is dyed and varnished with the customer's

choice of colour. The wooden elements are specially contoured to ensure the right back support and so they do not cause pressure below the user's knees.

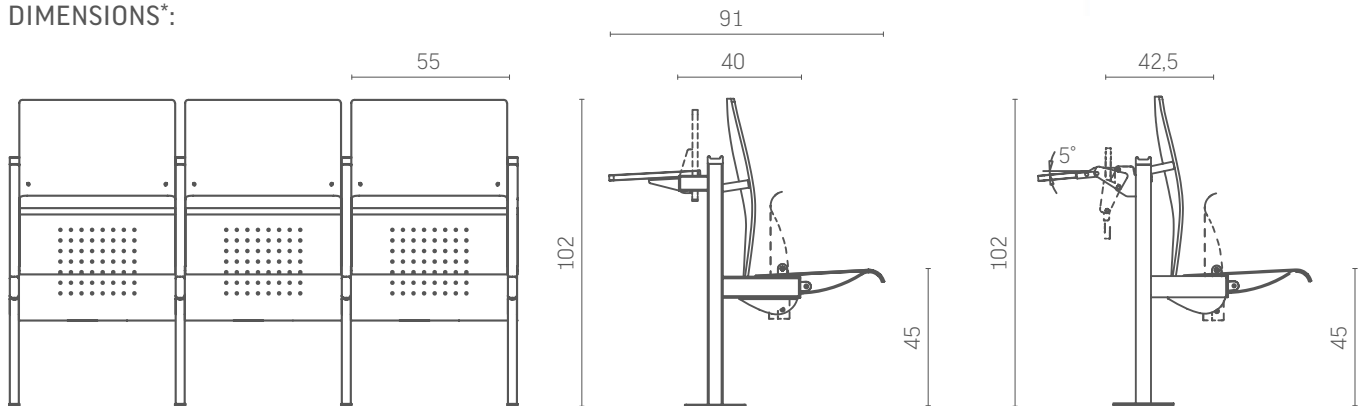
The chair is equipped with a quiet gravitational folding mechanism. Thanks to its special seat structure, the chair has good acoustic properties. There are options for the chair seat to have holes at the bottom or be filled with a sound-absorbing material.

The chair is also available with upholstered pads for greater comfort. The upholstery fabric is chosen together with the customer in order to match the chair colour and interior design. The wide palette of finishes allows for adjusting the product to diverse space decors.





**DIMENSIONS\*:**



\* Particular dimensions can be individually adjusted to a given project.  
All dimensions are in centimetres.

**CHARACTERISTIC FEATURES AND AVAILABLE OPTIONS:**

- o A pencil tray for writing tools and a desktop attached to the chair structure.
- o A free-standing desktop assembled in the first row.
- o Additional desktops with castors that allow for arranging places for the disabled.
- o A possibility to assemble bigger desktops with a two-chair width.
- o Seat numbering is attached to the bottom of the seat.
- o A possibility to arrange power sockets in an aesthetically pleasing way.

**CERTIFIED PRODUCTION:**

We manufacture products at a global level. Our chairs are characterised by top quality and the highest durability. In all of our production plants we have implemented the best quality management system: **ISO 9001:2000**. At the same time, we take care of the natural environment. We use the environmental management systems created according to the **ISO 14001** standard in the majority of our factories. This enables us to minimise our impact on the natural environment and confirms that our products contain no heavy metals.

**ASSEMBLY OPTIONS:**

**Floor type:**

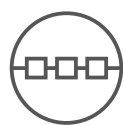


Flat

Inclined

Stairs

**Armchair arrangement:**



In a straight line

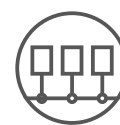
**Assembly types:**



TYPE A  
to the step  
riser



TYPE B  
to the step  
riser



TYPE C  
to the floor



TYP C  
to the floor  
on a beam